

Product availability: Non-Stock - Not normally stocked in distribution facility



Main

Range of product	Modicon STB distributed I/O solution
Product or Component Type	Standard digital output kit
Kit composition	STBXTS1100, 5-terminal screw type connector STBDAO8210 module STBXTS2110, 5-terminal spring clamp connector STBXBA2000 base
Discrete output number	2
Discrete output type	Triac
Discrete output voltage	115...230 V
Discrete output voltage type	AC

Complementary

Discrete output logic	Positive or negative
Cold swapping	Yes
Hot swapping fallback	Yes for standard NIMs
Insulation between channels and logic bus	1780 V for 1 minute
Minimum load	5 MA
Product Compatibility	I/O base STBXBA2000 Power distribution module STBPDT2100/2105
Supply	Power distribution module
Marking	CE
Overvoltage category	II
Height	0.72 In (18.4 mm)
Depth	2.76 In (70 mm)
Width	5.05 In (128.3 mm)
Product Weight	0.28 Lb(US) (0.125 kg)

Environment

Standards	EN/IEC 61131-2
Product Certifications	UL CSA FM Class 1 Division 2
Operating altitude	<= 6561.68 ft (2000 m)

Ordering and shipping details

Category	18215 - ADVANTYS STB I/O
Discount Schedule	PC32
GTIN	3595863988925
Nbr. of units in pkg.	1
Package weight(Lbs)	5.01 Oz (142 g)
Returnability	No
Country of origin	ID

Packing Units

Unit Type of Package 1	PCE
Package 1 Height	1.06 In (2.7 cm)
Package 1 width	3.15 In (8 cm)
Package 1 Length	5.12 In (13 cm)
Unit Type of Package 2	S02
Number of Units in Package 2	28
Package 2 Weight	8.77 Lb(US) (3.976 kg)
Package 2 Height	5.91 In (15 cm)
Package 2 width	11.81 In (30 cm)
Package 2 Length	15.75 In (40 cm)

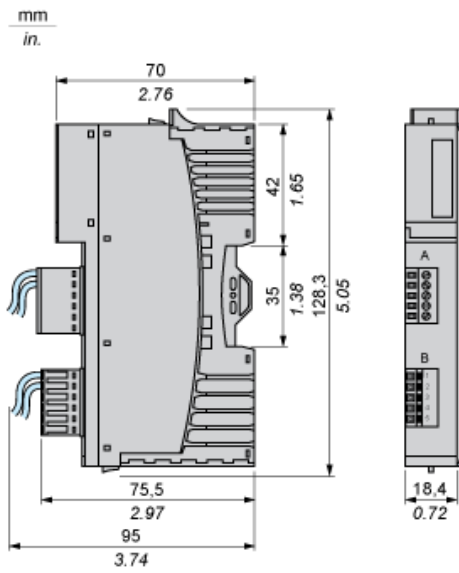
Offer Sustainability

Sustainable offer status	Green Premium product
California proposition 65	WARNING: This product can expose you to chemicals including: Lead and lead compounds, which is known to the State of California to cause cancer and birth defects or other reproductive harm. For more information go to www.P65Warnings.ca.gov
REACH Regulation	REACH Declaration
EU RoHS Directive	Pro-active compliance (Product out of EU RoHS legal scope) EU RoHS Declaration
Mercury free	Yes
RoHS exemption information	Yes
China RoHS Regulation	China RoHS Declaration
Environmental Disclosure	Product Environmental Profile
Circularity Profile	End Of Life Information
WEEE	The product must be disposed on European Union markets following specific waste collection and never end up in rubbish bins.

Contractual warranty

Warranty	18 months
----------	-----------

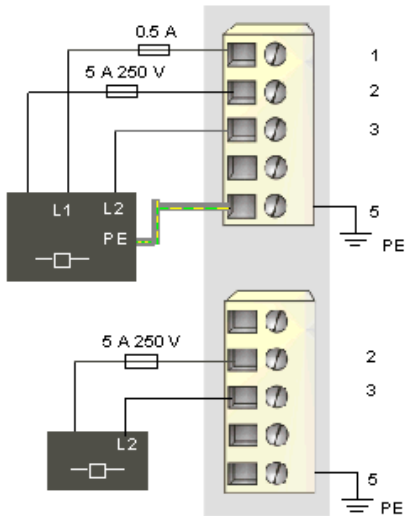
Dimensions



Wiring Diagram

Example

1 three-wire actuator and 1 two-wire actuator



Pin	Top Connector	Bottom Connector
1	actuator bus power (L1)	actuator bus power (L1)
2	output to actuator 1 (common with L1)	output to actuator 2 (common with L1)
3	field power neutral or L2	field power neutral or L2
4	field power neutral or L2	field power neutral or L2
5	protective earth	protective earth

Product Life Status : **Commercialised**